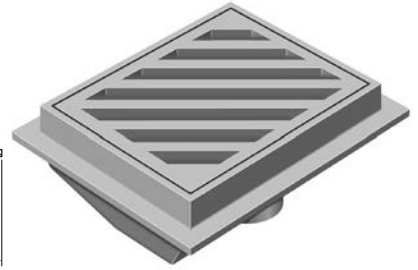
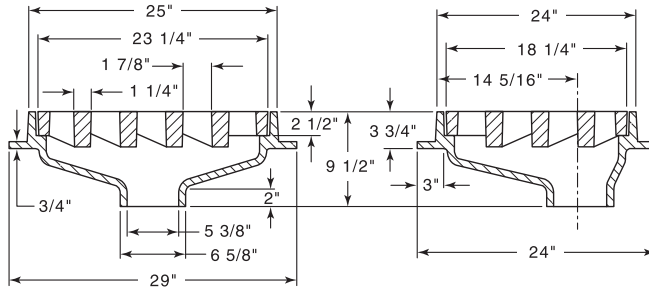


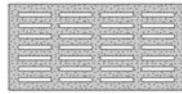
R-3919
Bridge Drain Frame, Grate

Heavy Duty



CATALOG NUMBER	GRATE TYPE	SQ. FT. OPEN	WEIR PERIMETER LINEAL FEET
R-3919	R	1.4	6.9
R-3919	Q	0.9	6.9

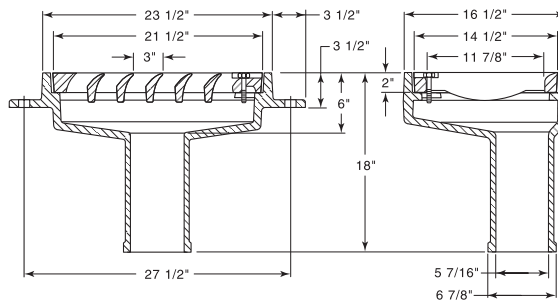
Standard Grate (shown): Type R
Alternate grate(s):



Type Q

R-3920-V
Bridge Drain Frame, Grate

Heavy Duty

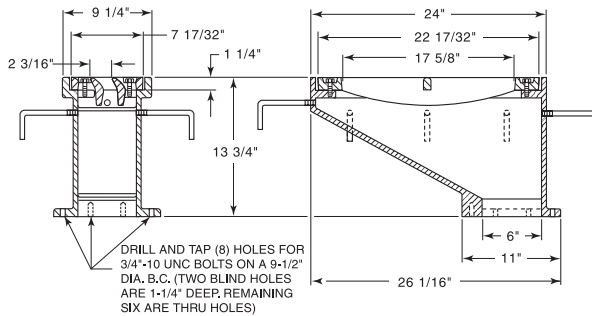


CATALOG NUMBER	GRATE TYPE	SQ. FT. OPEN	WEIR PERIMETER LINEAL FEET
R-3920-V	V	0.9	4.2

BRIDGE SCUPPERS
6

R-3921-V1
Bridge Drain Frame, Bolted Grate

Heavy Duty



CATALOG NUMBER	GRATE TYPE	SQ. FT. OPEN	WEIR PERIMETER LINEAL FEET
R-3921-V1	V	0.5	4.1
R-3921-L1	L	0.3	4.1
R-3921-B1	B	0.7	4.5

Standard 125# flanged template downspout furnished by others.

Standard Grate (shown): Type V

Available with Type L grate, order **R-3921-L1**.

Available with Type B grate, order **R-3921-B1**.



Type L



Type B